

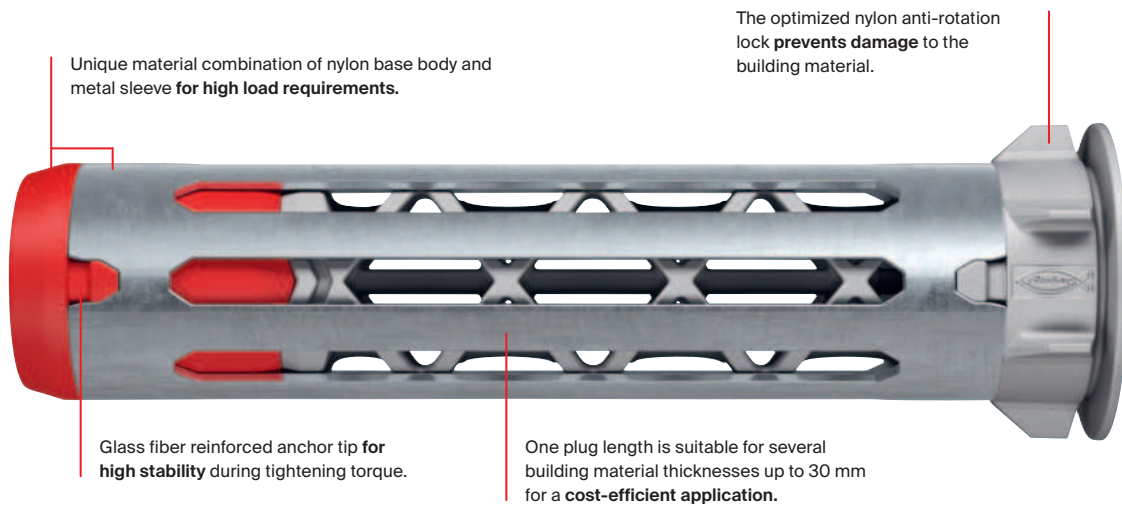
fischer 

DuoHM cavity fixing.
One plug, many panel
building materials.



DuoHM.

One panel plug for all common building material thicknesses.



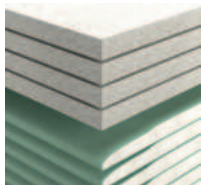
For use with different metric screws.

Metric internal thread allows flexible use of different metric screws and multiple fastening.

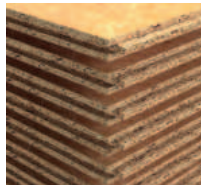


Recommendations

Suitable for building materials such as:



Gypsum plasterboard and gypsum fiberboard



Chipboard



Plywood panels



Plasterboard and OSB panels

Advantages and functions

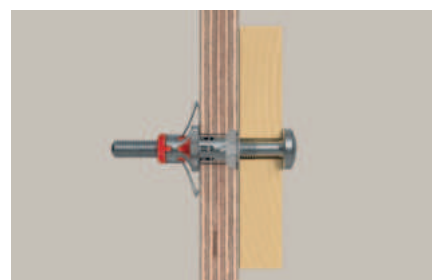
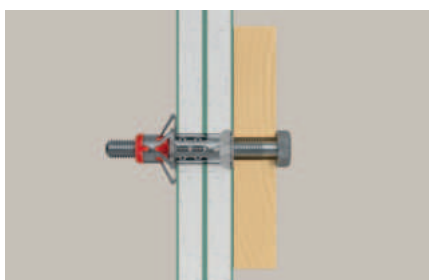
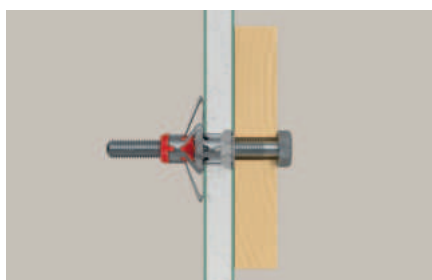
The advantages at a glance

- The DuoHM can be installed quickly and easily using a cordless screwdriver without additional setting tools. This reduces installation time by up to 50% compared to conventional panel plugs.
- The unique 2-component technology fulfills high load requirements. The metal sleeve presses against the back of the panel and the nylon base body knots in the building material.
- One plug length covers all common building material thicknesses from 9.5 - 30 mm for a flexible and cost-efficient application.
- Thanks to the metric internal thread, the screw can be unscrewed and screwed in again several times.
- The nylon anti-rotation lock ensures correct installation and also prevents damage to the building material.
- Due to the narrow plug edge, the fixing is no longer visible behind the attachment part.

Function

- The DuoHM is suitable for panel thicknesses of 9.5 - 30 mm.
- The metal sleeve folds behind the building material and presses against the back of the panel, the nylon base body knots in the building material.
- Installation is only complete when the tightening torque is clearly noticeable and the metal sleeve is fully pressed against the panel.
- Thanks to the metric internal thread, the attachment can be fastened and unfastened several times.

One plug length for different building material thicknesses.



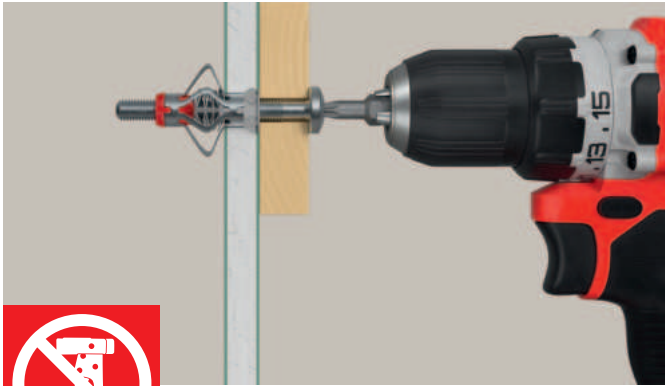
Installation

DuoHM

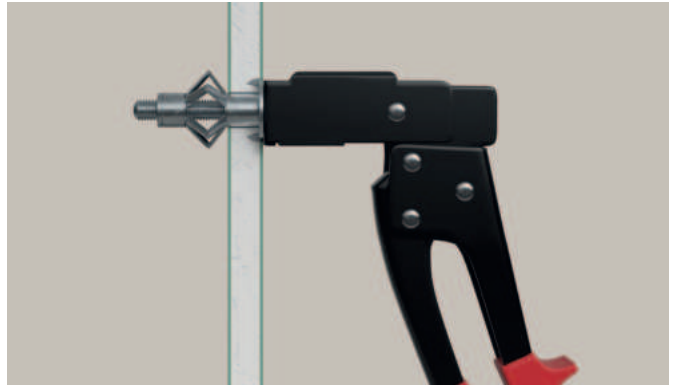
The **DuoHM** can be installed directly through the attachment part without special tools using a standard cordless screwdriver. This saves up to 50% installation time compared to conventional cavity plugs. In addition, one plug length is sufficient for different building material thicknesses of up to 30 mm and attachments can be unscrewed and screwed in again several times thanks to the metric thread. The DuoHM is therefore the flexible and economical cavity plug for a wide range of panel building materials.

Conventional panel plug

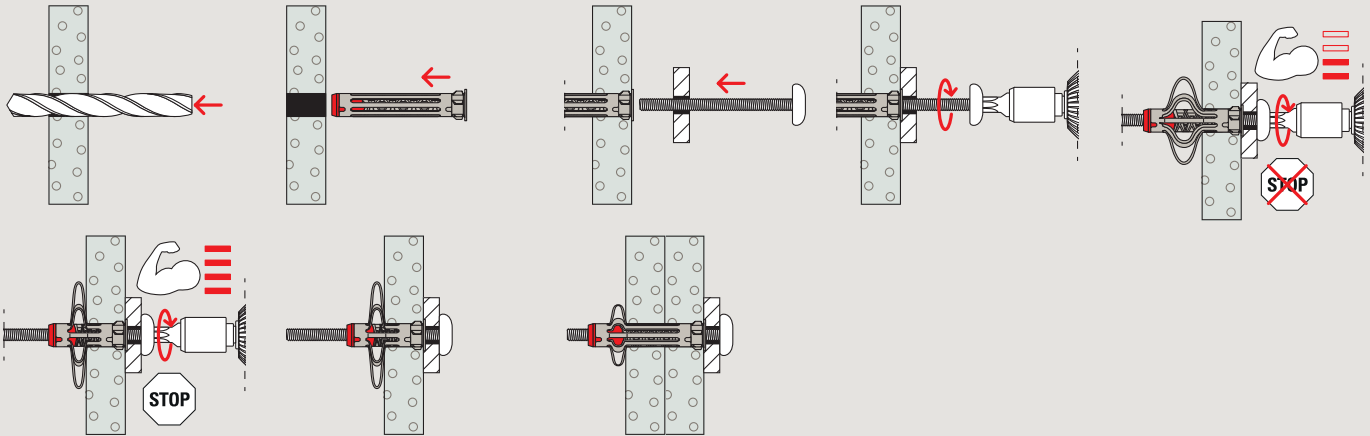
Comparable plugs have to be set laboriously and tediously with pliers in order to achieve full expansion of the plug behind the panel. The screw must then be completely unscrewed in order to fix the attachment. Due to the sharp-edged anti-rotation lock, the surface of the building material often gets damaged.



Simple assembly using a cordless screwdriver saves up to 50% of the assembly time.



Installation steps



Installation of the DuoHM is only complete once the metal sleeve has been fully pressed against the building material wall and the tightening torque is clearly noticeable.

Applications



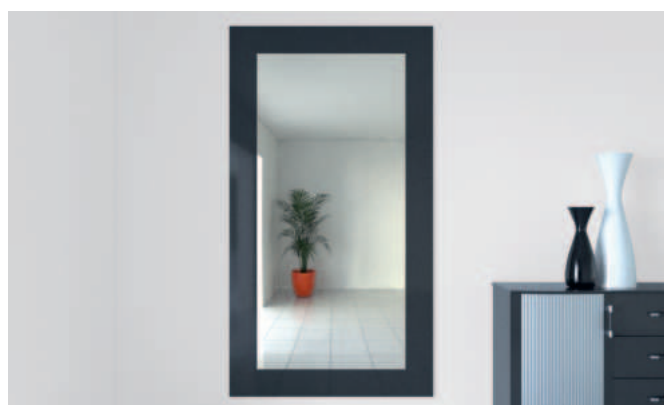
TV mountings



Shelves



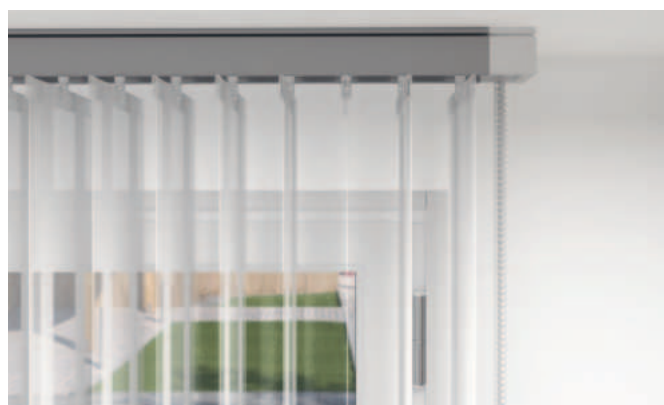
Pictures



Mirrors

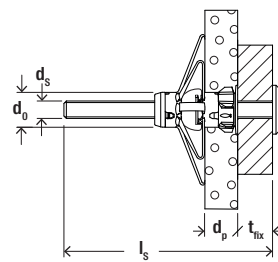


Ceiling lights



Curtain rods

Assortment and Loads



DuoHM



DuoHM

Item	Item.-No.	Drill hole diameter	Min. drill hole depth	Anchor length	Screw dimension	Panel thickness	Drive	Sales unit
		d_o [mm]	h_1 [mm]	l [mm]	$d_s \times l_s$	d_p [mm]		
DuoHM 4x55 S PZ K NV	572911	8	55	55	M 4x55	9,5 - 30	PZ2	1
DuoHM 5x55 S PZ K NV	572912	10	55	55	M 5x55	9,5 - 30	PZ2	1
DuoHM 6x55 S PZ K NV	572913	12	55	55	M 6x55	9,5 - 30	PZ3	1
DuoHM 4x55 S TX K NV	572914	8	55	55	M 4x55	9,5 - 30	TX20	1
DuoHM 5x55 S TX K NV	572915	10	55	55	M 5x55	9,5 - 30	TX25	1
DuoHM 6x55 S TX K NV	572916	12	55	55	M 6x55	9,5 - 30	TX30	1
DuoHM 4x55 S PZ PB NV	572917	8	55	55	M 4x55	9,5 - 30	PZ2	1
DuoHM 5x55 S PZ PB NV	572918	10	55	55	M 5x55	9,5 - 30	PZ2	1
DuoHM 6x55 S PZ PB NV	572919	12	55	55	M 6x55	9,5 - 30	PZ3	1
DuoHM 4x55 S PZ	572920	8	55	55	M 4x55	9,5 - 30	PZ2	25
DuoHM 5x55 S PZ	572921	10	55	55	M 5x55	9,5 - 30	PZ2	25
DuoHM 6x55 S PZ	572922	12	55	55	M 6x55	9,5 - 30	PZ3	25
DuoHM 4x55 S TX	572923	8	55	55	M 4x55	9,5 - 30	TX20	25
DuoHM 5x55 S TX	572924	10	55	55	M 5x55	9,5 - 30	TX25	25
DuoHM 6x55 S TX	572925	12	55	55	M 6x55	9,5 - 30	TX30	25
ProfiBox DuoHM PZ	572926	8 - 12	55	55	M 4/M5/M6x55	9,5 - 30	PZ2/PZ3	52 pcs.
ProfiBox DuoHM TX	573644	8 - 12	55	55	M 4/M5/M6x55	9,5 - 30	TX20/TX25/TX30	52 pcs.
FixTainer DuoHM TX	572927	8 - 12	55	55	M 4/M5/M6x55	9,5 - 30	TX20/TX25/TX30	90 pcs.

Cavity fixing DuoHM

Recommended loads¹⁾²⁾ for a single anchor.

Type		DuoHM 4x55	DuoHM 5x55	DuoHM 6x55
Thread size		M4	M5	M6
Recommended loads in the respective base material F_{rec} ³⁾				
Gypsum plasterboard	9.5 mm	[kN] 0.15	0.15	0.15
Gypsum plasterboard	2 x 9.5 mm	[kN] 0.25	0.25	0.25
Gypsum plasterboard	12.5 mm	[kN] 0.20	0.20	0.20
Gypsum plasterboard	2 x 12.5 mm	[kN] 0.36	0.38	0.40
Gypsum plasterboard (e.g. Knauf Diamant or Rigips Die Harte)	12.5 mm	[kN] 0.36	0.38	0.40
Gypsum fiberboard	12.5 mm	[kN] 0.38	0.40	0.42
Chipboard	16 mm	[kN] 0.48	0.50	0.52
OSB-Board	15 mm	[kN] 0.52	0.54	0.56
OSB-Board	18 mm	[kN] 0.58	0.60	0.62
Gypsum plasterboard + OSB-Board	12.5 mm + 15 mm	[kN] 0.58	0.60	0.62

¹⁾ Required safety factors are considered.

²⁾ The recommended loads are reference values and depending to the building material and the workmanship.

³⁾ Valid for tensile load, shear load and oblique load under any angle.

Our 360° service to you.

From software solutions, to training, to personal consulting. As a reliable partner, we are always happy to assist you with words and deeds.



Your advantages:

- Our products range from chemical resin systems to steel anchors through to nylon anchors.
- Competence and innovation through own research, development and production.
- Global presence and active sales service in over 100 countries.
- Qualified technical consulting for economical and compliant fastening solutions. Also on-site at the construction site if requested.
- Training sessions, some with accreditation, at your premises or at the fischer academy.
- Design and construction software for demanding applications.

Design Software fischer FiXperience.

The fischer design Software FiXperience gives you safe and reliable support in measuring your projects whether you are a planner, structural engineer or craftsman. Measuring has never been so simple!



Software and modules for your daily work.

- The modular design program includes engineering software and application modules.
- The software is based on international design standards (EN 1992-4, EC1, EC2, EC3 and EC5), including the national application documents. All common force and measurement units are available.
- Incorrect input will be recognized and the software gives tips to get a correct result. This ensures a safe and reliable design every time.
- The graphical display can easily be rotated through 360°, panned, tilted or zoomed as required.
- The 3D display gives a detailed and realistic image.
- The “live update” feature helps to keep the program up to date ensuring you are always working with the latest version.
- Free download and updates at: www.fischer.de/fixperience-en

Dealer:

www.fischer-international.com



fischer stands for

Fixing Systems
Automotive
fischertechnik
Consulting
Electronic Solutions

fischerwerke GmbH & Co. KG
Klaus-Fischer-Straße 1 · 72178 Waldachtal
Germany
P +49 7443 12-0
www.fischer-international.com · info@fischer.de
