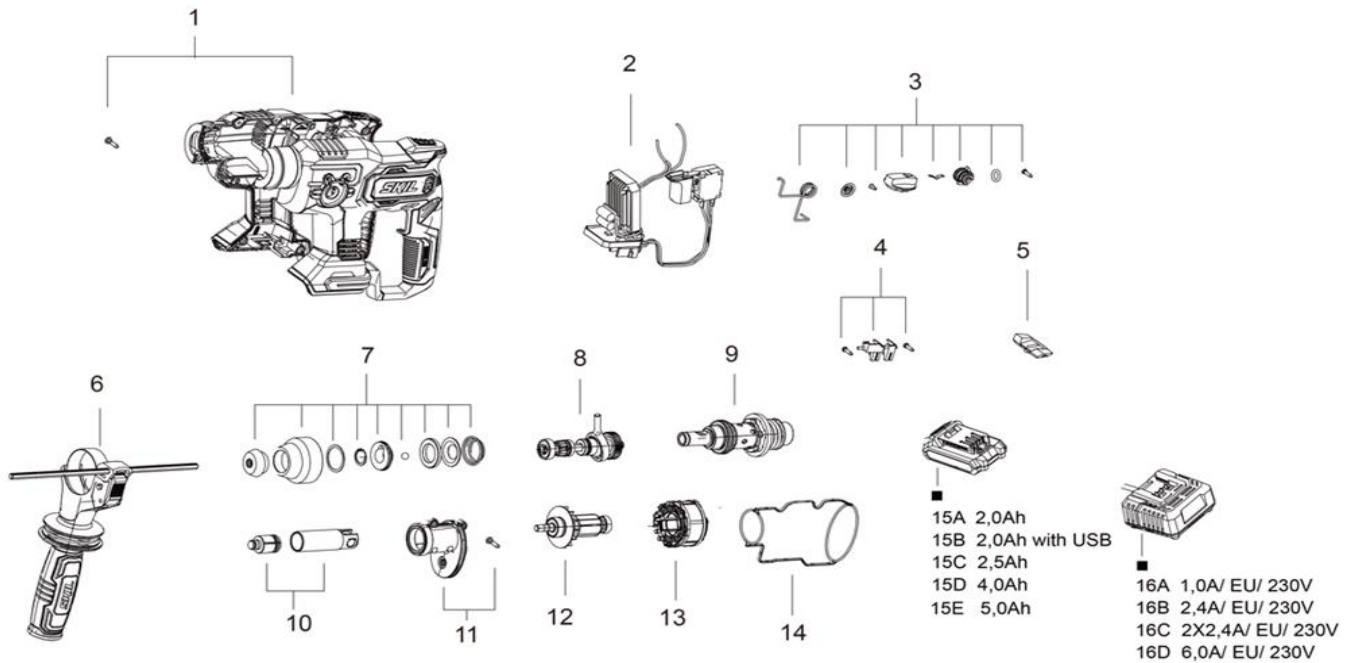


# SKIL RH1E385001



POS.	CODE	DESCRIPTION	QTY
1	2829556001	Housing parts set	1
2	2831424001	Switch parts set	1
3	2829554001	Rotary knob parts set	1
4	2829555001	Change-over switch	1
5	3127377004	F/R button	1
6	1230046001	Auxiliary handle	1
7	3860166001	SDS+ Parts Set	1
8	2826003002	Wobble plate parts set	1
9	2824096003	Drive shaft	1
10	2829552001	Hammer piston parts set	1
11	2829553001	Base frame parts set	1
12	2751175001	Armature 20V	1
13	2740489001	Field 20V	1
14	5690323001	Rubber gasket	1
15A	BR1E310701	Battery 20V MAX 2,0Ah (Keepcool) Li-ion	1
15B	BR1E310201	Battery 20V MAX 2,5Ah (Keepcool) Li-ion	1
15C	BR1E310401	Battery 20V MAX 4,0Ah (Keepcool) Li-ion	1
15D	BR1E310501	Battery 20V MAX 5,0Ah (Keepcool) Li-ion	1
16A	CR1E312401	Charger EU 230V/20V 0,4A	1
16B	CR1E312201	Charger EU 230V/20V 2,4A	1
16C	CR1E312301	Charger EU 230V/20V 6,0A	1
16D	CR1E312801	Dual charger EU 230V/2x20V 2,4A	1